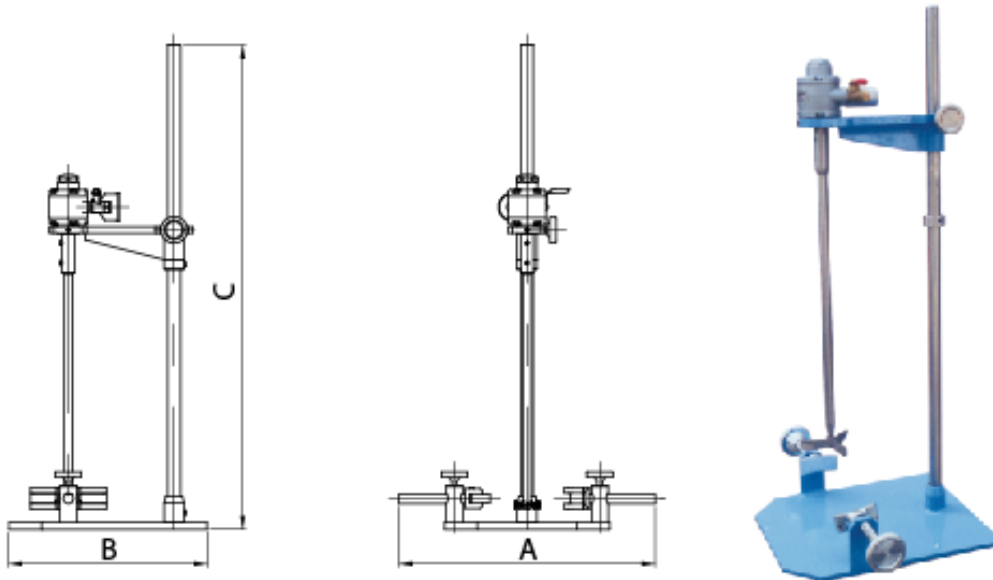




P-Mix Dispersing and Mixer for Laboratory

Air Series



P-Mix are explosion-proof and are ideal for safety mixing all type of solvents, lacquers and volatile chemicals without the possibility of spark ignition, Several explosion-proof models are available for your high speed, general purpose and high torque mixing applications. A needle valve allow you to very mixing speed, and a special muffler ensure quiet operation.

| Model | Motor (HP) | Speed (rpm) | Mixing Cap (liters) | Impeller (mm) | Stroke (mm) | A Width (mm) | B Length (mm) | C Height (mm) | Weight (Kg) |
|------------|------------|-------------|---------------------|---------------|-------------|--------------|---------------|---------------|-------------|
| P-Mix 1 AM | 0.5 | 0 - 6000 | 0.5 - 4 | 50 | 274 | 390 | 300 | 731 | 13 |
| P-Mix 2 AM | 1.0 | 0 - 3000 | 1.0 - 10 | 75 | 323 | 528 | 380 | 796 | |
| P-Mix 4 AM | 1.7 | 0 - 3000 | 1.0 - 20 | 100 | 323 | 528 | 380 | 796 | |

P.General Products : 234 Moo.5,Prakasa Road.,Prakasa,Muang,Samutprakarn 10280 Thailand.

Tel:(662)728-5246-8 Fax:(662)728-5249

E-mail:info@p-general.com